

4

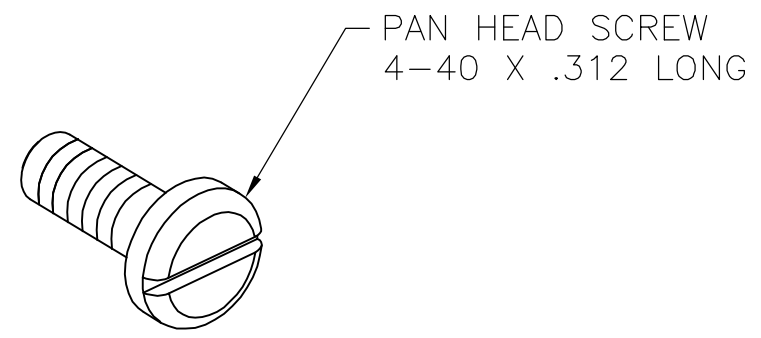
3

2

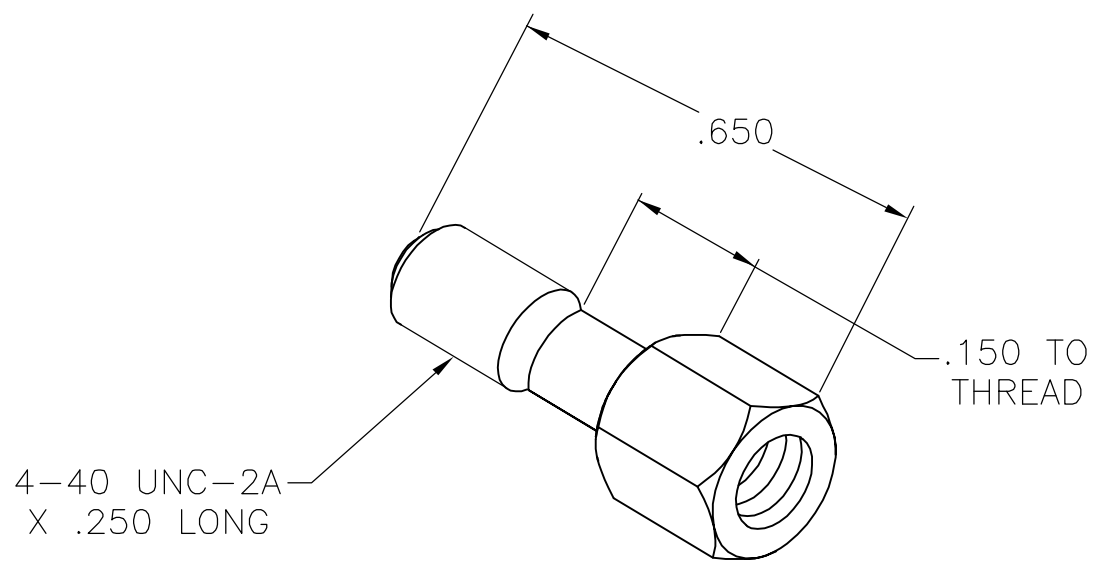
1

THIS DRAWING IS UNPUBLISHED. RELEASED FOR PUBLICATION --,--
 © COPYRIGHT - BY TYCO ELECTRONICS CORPORATION. ALL RIGHTS RESERVED.

LOC	DIST	REVISIONS			
P	LTR	DESCRIPTION	DATE	DWN	APVD
GP	00	0	RELEASED PER EC OS13-0288-05	10OCT05	BM WM



1. ALL DIMENSIONS SHOWN ARE FOR REFERENCE ONLY UNLESS OTHERWISE SPECIFIED.
2. TWO PIECES OF EACH REQUIRED PER KIT.
3. ALL HARDWARE SHIPPED UNASSEMBLED.
- △ 4 MATERIAL:
 MOUNTING STUD: ZINC PLATE WITH YELLOW TRIVALENT CHROMATE OVER STEEL.
 PAN HEAD SCREW: PASSIVATED STAINLESS STEEL.



5554272-1
 PART NUMBER

THIS DRAWING IS A CONTROLLED DOCUMENT.		DWN B. MCMASTER	10OCT05	 Tyco Electronics Corporation Harrisburg, PA 17105-3608	NAME EMI HARDWARE KIT, PRE ASSEMBLED, RIGHT ANGLE, 4-40, SCREW LOCK		
DIMENSIONS: INCHES		CHK W. MILLHIMES	10OCT05				
		APVD W. MILLHIMES	10OCT05				
TOLERANCES UNLESS OTHERWISE SPECIFIED:		PRODUCT SPEC	-				
MATERIAL		APPLICATION SPEC	-	SIZE	CAGE CODE	DRAWING NO	RESTRICTED TO
		WEIGHT	-	A3	00779	C-5554272	-
FINISH		CUSTOMER DRAWING		SCALE	2:1	SHEET	1 OF 1
-				REV	0		